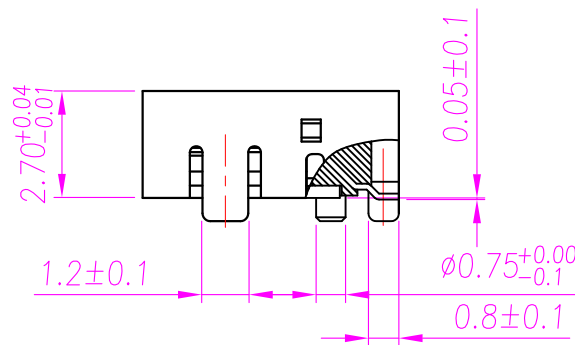
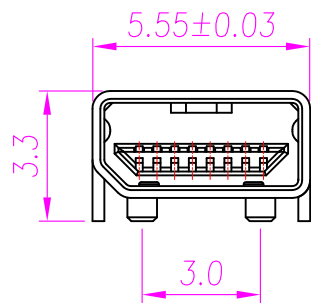
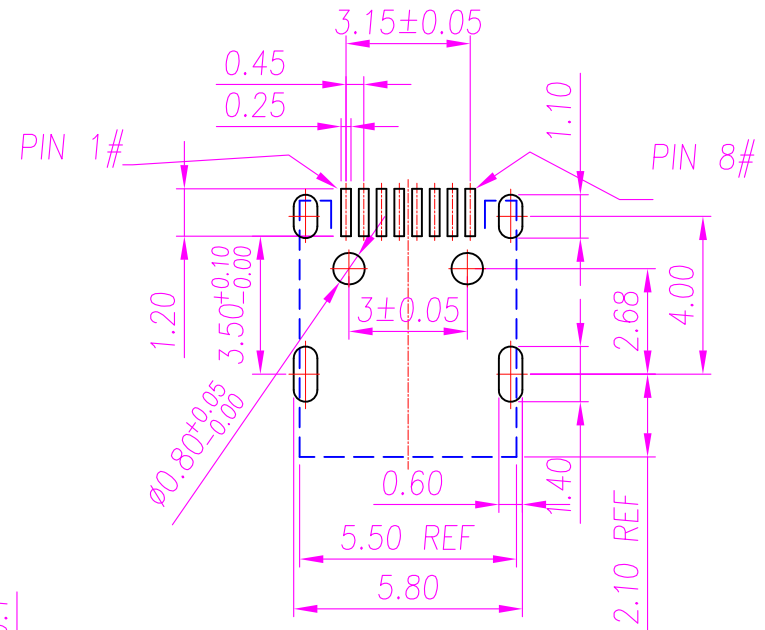
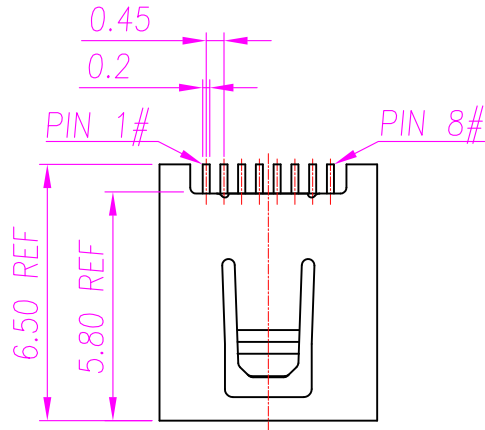


This document is the property of Nian-Yeong Corporation and is delivered on the express condition that it is not to be disclosed, reproduced or used, in whole or in part, for manufacture or sale by anyone other than Nian-Yeong Corporation without its prior consent, and that no right is granted to disclose or to use any information in this document.

CUSTOMER DRAWING

REV.	DESCRIPTION	APPROVED BY	DATE	ECN NO.
A	RELEASE	Fido Weng	21/05/09*	
B				
C				



NOTE:

1.MATERIAL

- 1-1 CONTACT: PHOSPHOR BRONZE
- 1-2 HOUSING: LCP
- 1-3 SHELL: PHOSPHOR BRONZE

2.PLATING

- 2-1 CONTACT: SEE TABLE A
- 2-2 SHELL: COLD FLASH

TABLE A

MU-08F4-08	GOLD 30u"(接觸面)
MU-08F4-02	GOLD 10u"(接觸面)
P/N	PLATING

DRAWN	Jen Xie	APPEND	Emily Suen	UNIT	mm	TOLERANCE		TITLE	MINI USB 8(F) 單排式 SMT 單缺口			SHEET			
CHOKED	Emily Suen			SCALE	1:1	.x ±0.20 .xx ±0.10 .xxx ±0.05 .xxxx ±0.03 ANGULA ±1°				ENTERPRISE CO., LTD.	PART NO.	SEE TABLE A	DWG NO.	QC1450	VERSION A